

For reference only. See data sheet for the detailed specifications.

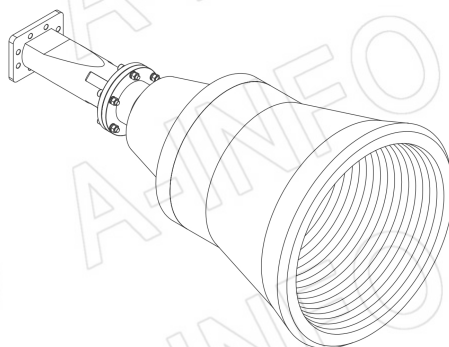
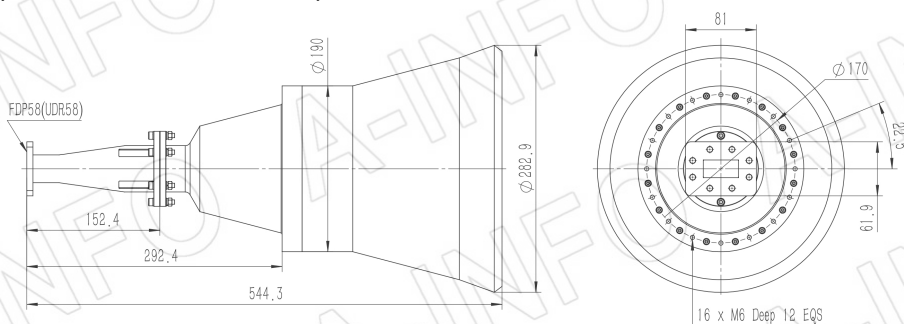
Technical Specification



Frequency Range(GHz)	4.90 – 7.05
Waveguide	WR159
Gain(dBi)	20 Typ.
Polarization	Linear
3dB Beamwidth(deg)	E Plane: 16 Typ.
	H Plane: 16 Typ.
Cross Pol. Isolation(dB)	45 Typ.
VSWR	A Type: 1.25:1 Typ.
	C Type: 1.40:1 Typ.
Output	A Type: FDP58(UDR58)
	C Type: N-Female or SMA-Female or TNC-Female or 7mm or 3.5mm-Female
Material	Al
Finish	Chemical Conversion Coating, Gray Paint
Size(mm)	A Type: 282.9 x 282.9 x 544.3
	C Type: 282.9 x 282.9 x 594.3
Net Weight(Kg)	A Type: 9.19 Around
	C Type: 9.37 Around

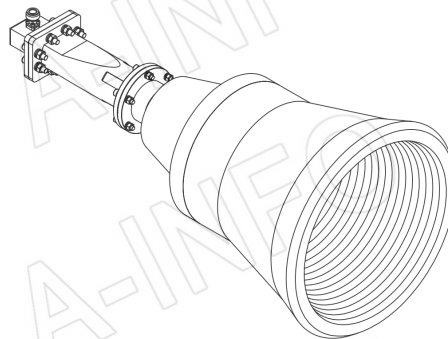
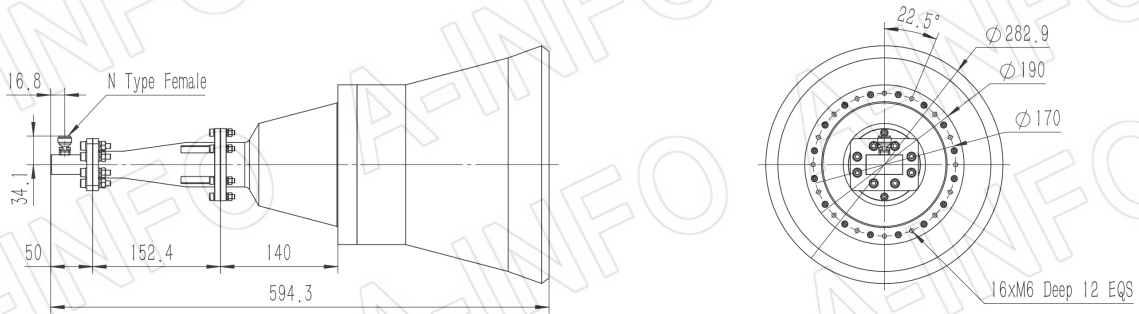
Outline Drawing (Size: mm)

FDP58 Output (P/N: LB-CH-159-20-A)



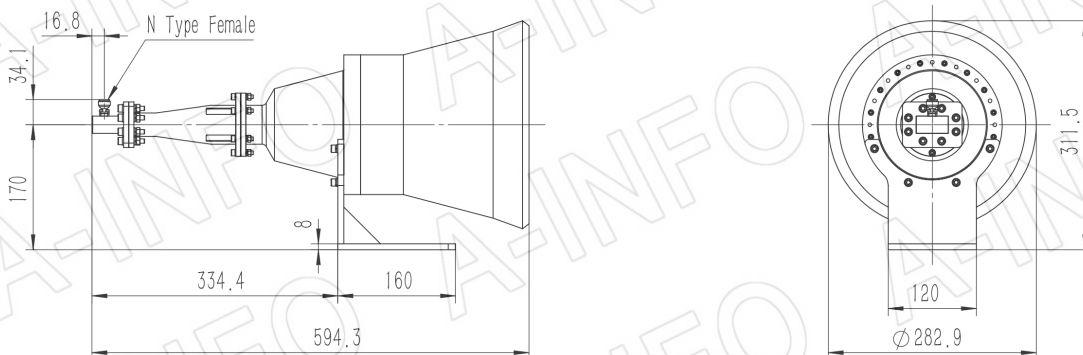
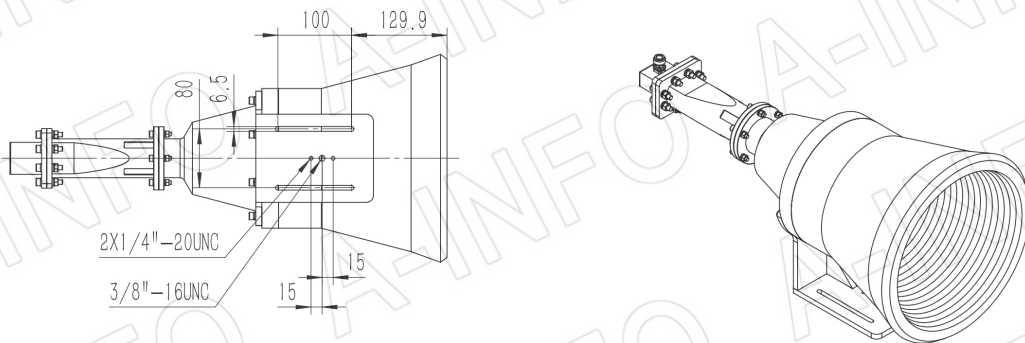
N-Female Output (P/N: LB-CH-159-20-C-NF)

For SMA-Female, TNC- Female, 7mm or 3.5mm-Female output outline drawing, please contact A-INFO.

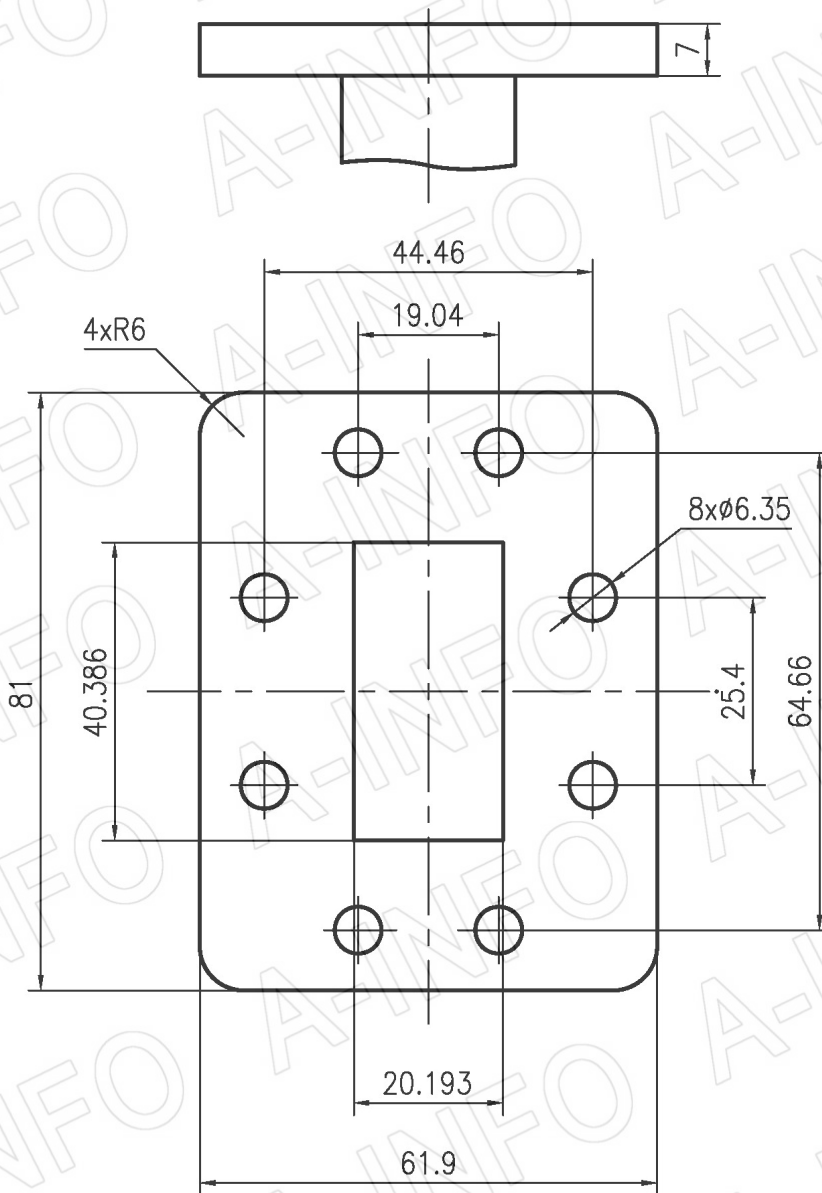


N-Female Output with L Type Mounting Bracket (Option, P/N:LB-CH-159-20-L)

For SMA-Female, TNC- Female, 7mm or 3.5mm-Female output outline drawing, please contact A-INFO.



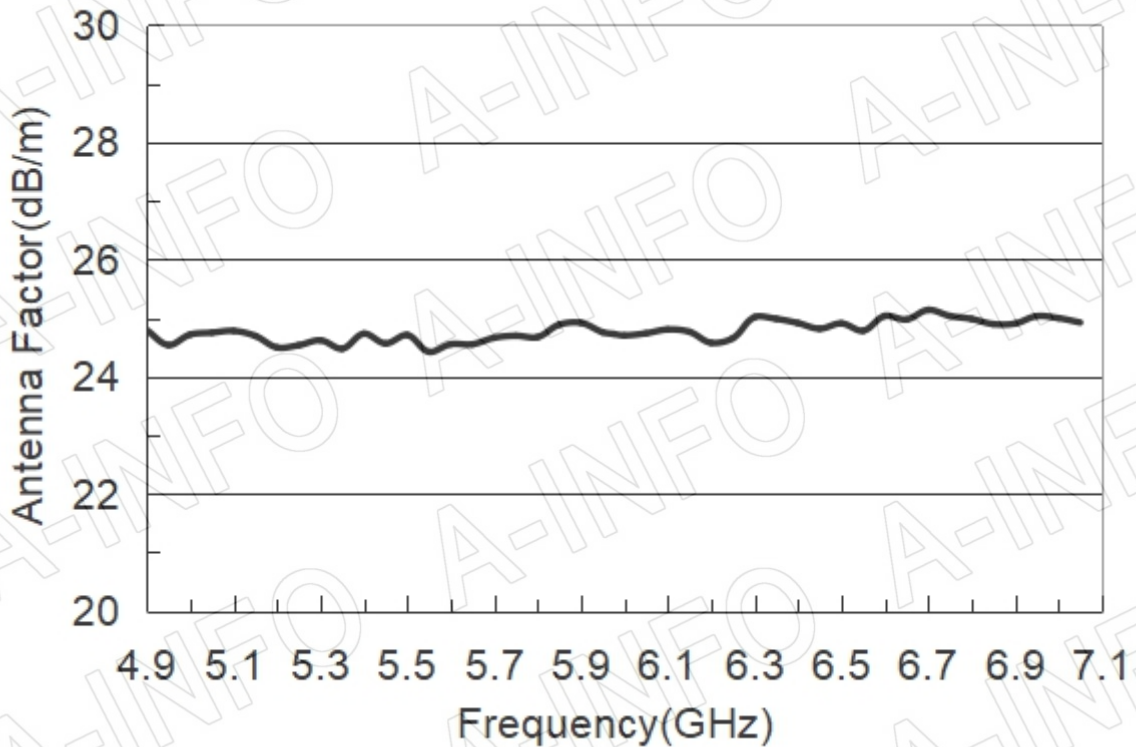
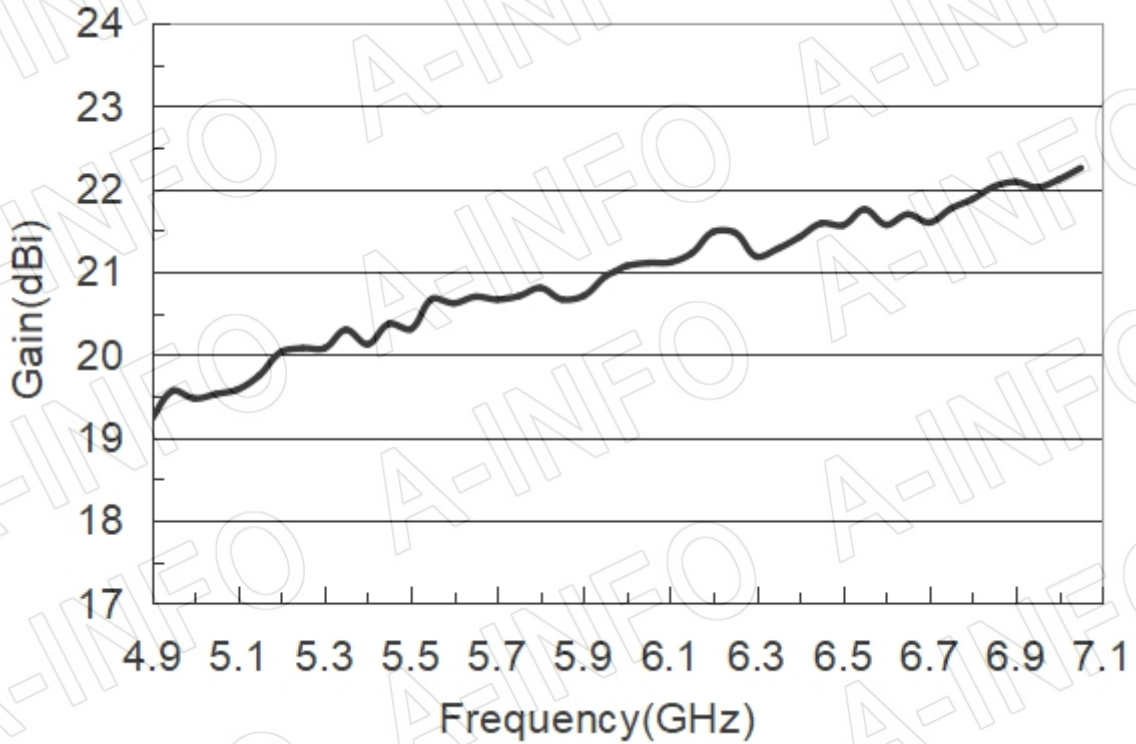
Flange Drawing (Size: mm)



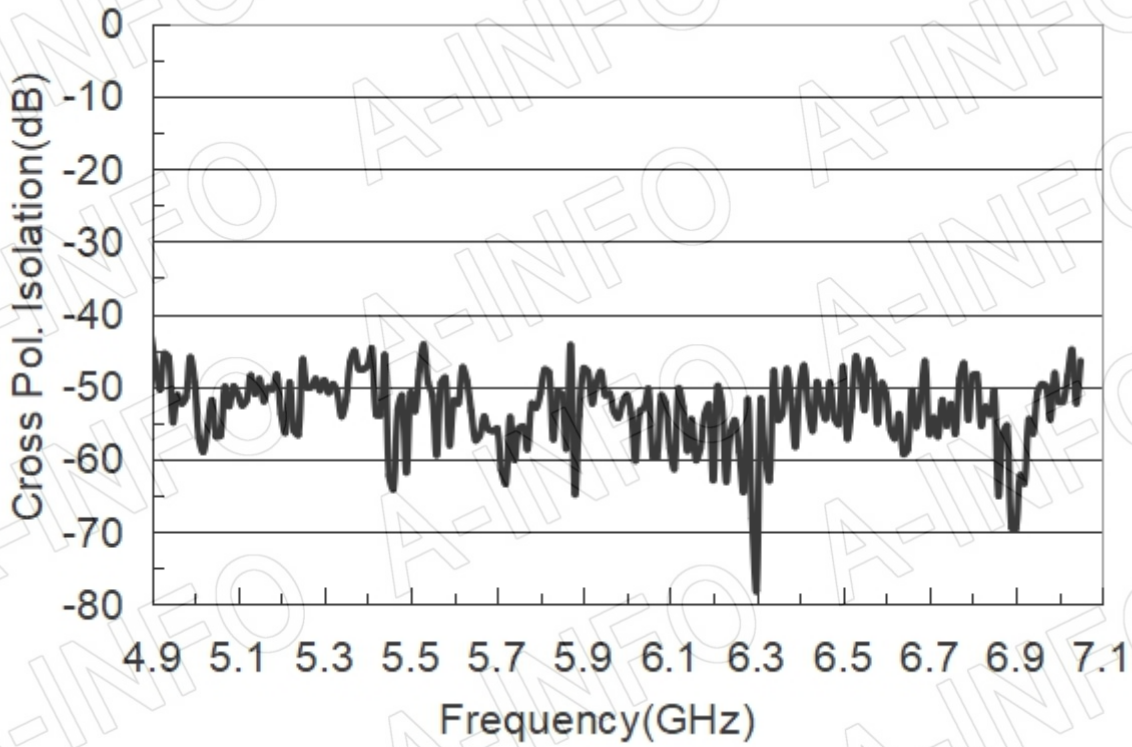
FDP58

Test Results

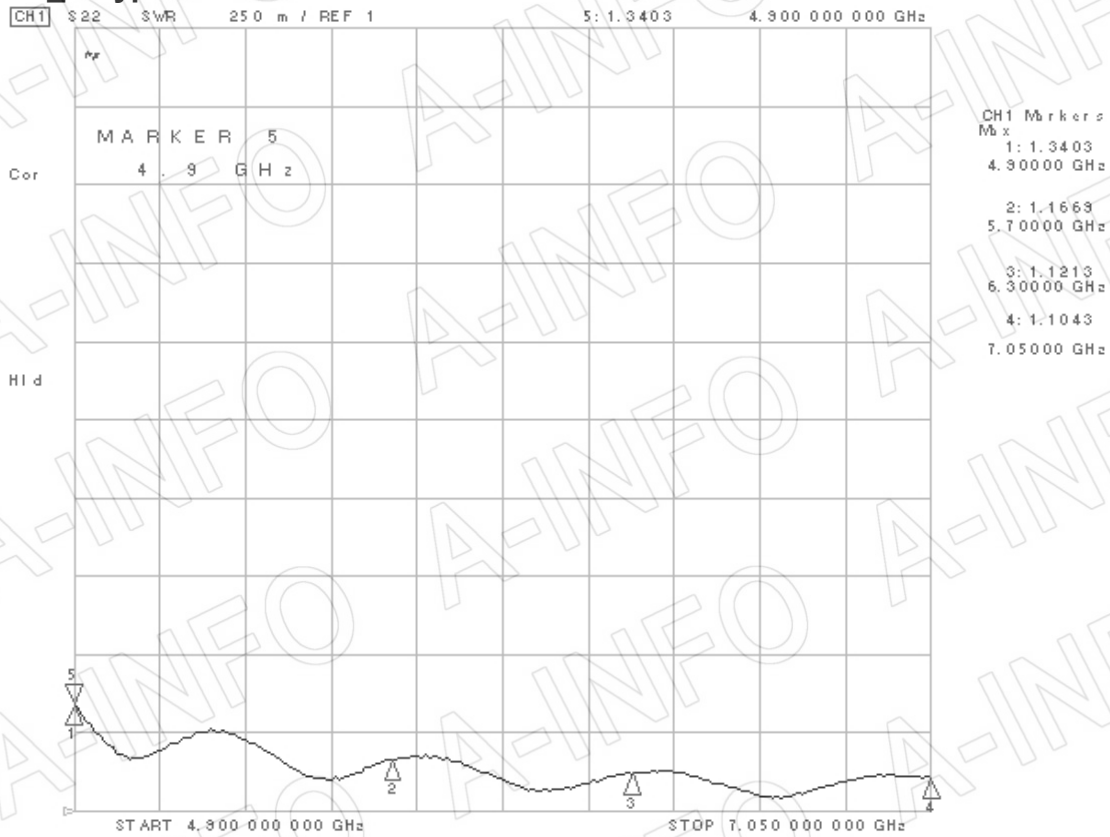
1. Gain & Antenna Factor



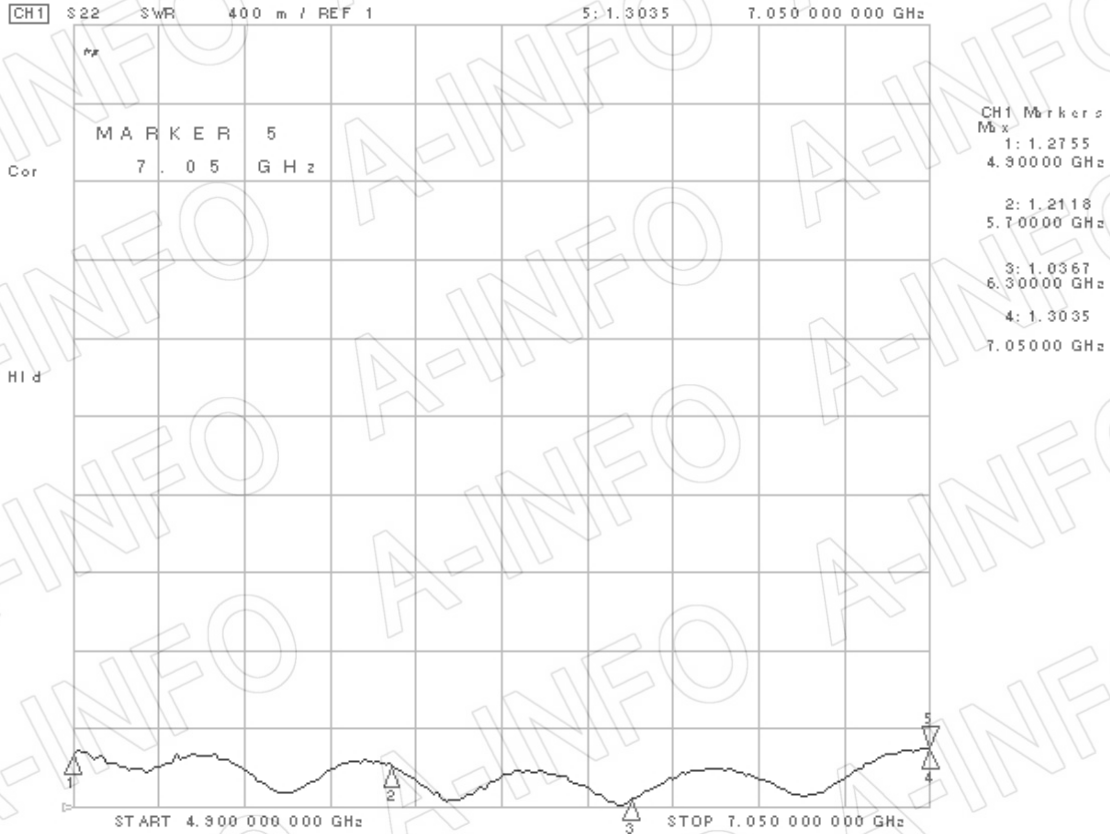
2. Cross Polarization Isolation



3. VSWR_A Type



VSWR_C Type



4. Pattern

